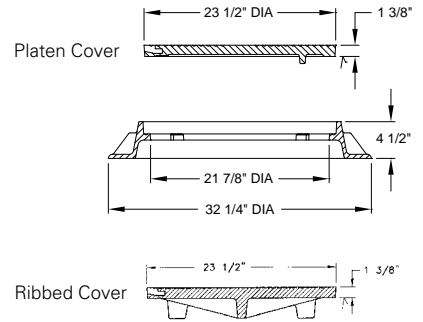


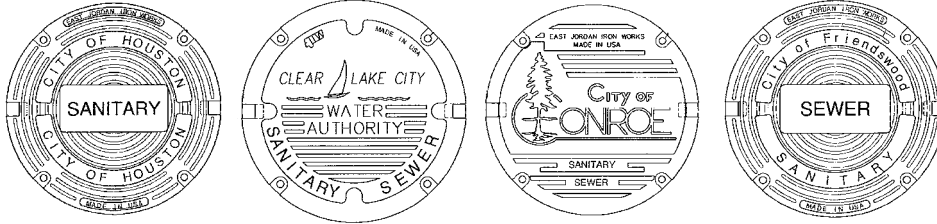
### V-2418-2 WATERTITE FRAME & COVER

Heavy duty  
Machined bearing surfaces

- Options
- Special lettered covers
- Logo covers



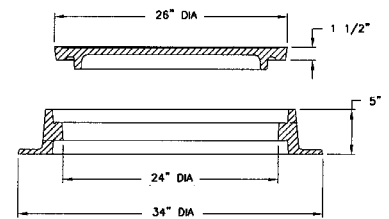
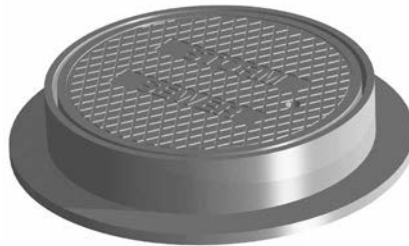
#### Custom Logo Covers



### 2450 FRAME & COVER

Heavy duty  
Machined bearing surfaces  
Reversible frame

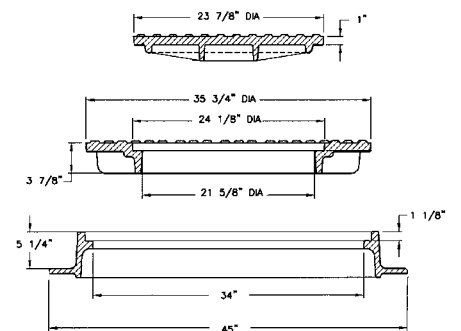
- Options
- Special lettered covers
- Custom logo covers
- Watertite assembly
- Grates
- Adjusting risers
- Hinged unit
- Gasket seal covers
- Accepts 1040 covers



### 2455 FRAME & COVER

Heavy duty  
Machined bearing surfaces  
TYPE E outer cover with 2455 inner cover

- Options
- Special lettered covers
- Adjusting risers



Supplied By:



877-903-7246

www.trenchdrainsupply.com

